



### Features

- Programmable Function : Batch / Length / Preset
- For Output 1, Relay & Buzzer Output will work simultaneously (Except 48x48 size)
- Count Range from 0 to 999999 Counts
- Speed (Meter / Min) Display in Length Mode
- Programmable Diameter in Length Mode
- RPM Value will be displayed in Preset Mode
- Count Retention at Power Fail
- Universal supply voltage (90 ~ 270VAC)
- Two Independent Output
- 24 VDC Available on Request

### Technical Specifications

#### Display Specification

Digits	6 Digits Upper Row, 4 Digits Lower Row (Except 886) 7 Segment LED Display			
LED Indication	Mode - BC / LC / PC Output - RL1, RL2 Status - Batch / RT			
Height	Model	BL-77	BL-886	BL-99
PV (White)		0.39"	0.56"	0.56"
SV (Green)		0.39"	N.A	0.56"

#### Keys

3 Controlling keys for configuration and operation



#### Auxiliary Supply Specification

Supply Voltage	90 - 270 VAC (24 VDC Available on Request)
----------------	---

#### Functional Specification

Count Setting	Through Keyboard
Count Frequency	3Hz / 30Hz / 100Hz / 1kHz / 2.5kHz
Output 1 Modes	Latch Output / Auto Reset / Offset Count
Output 2 Function	Auxiliary Contact / Batch Mode / Independent Set point / OFF
Length Diameter	0.01 to 9999.99 mm

#### Output Specification

Output 1	Relay / SSR Drive (Factory Set)
Output 2	Relay / SSR Drive (Factory Set)
Relay	5A @ 250VAC / 30VDC
SSR Drive	12 VDC @ 30mA



Make In India



Accurate



Reliable



Affordable



User Friendly

## General Description

Model	BL-77	BL-886	BL-99
Weight (Gms)	240	220	270
Enclosure	Molded ABS		
Color	Black		
Accessories	1 Pair of Mounting clamp		
Terminal Cable Size	Barrier Type terminal cable Size ( 2.5 mm <sup>2</sup> )		

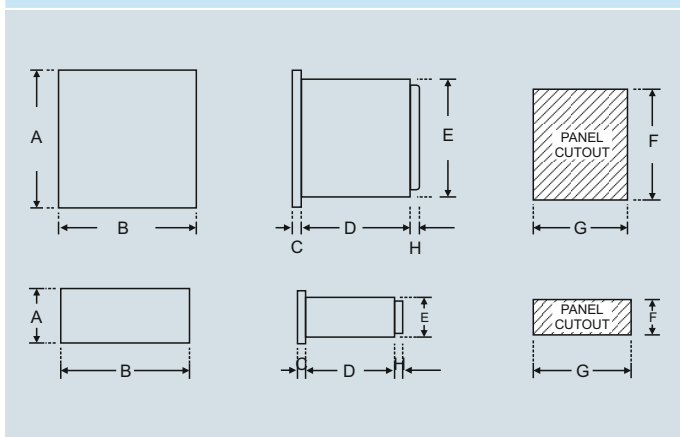
## Input Specification

Control Input	Start - Proximity S/W (PNP / NPN) Potential Free Contact
	Reset - Front Switch, Remote Terminal
Sensor Supply	12 VDC @ 30mA (SCP)
Accuracy	0.05% FSD

## Environmental Specification

Temperature	Operating - 0 to 50°C
Storage	-20° to 75°C
Humidity	95% RH (Non-condensing)

## Mechanical Dimensions



## Mechanical Dimensions

Model	Dim A	B	C	D	E	F	G	H
BL-77	72	72	10	65	66	68	68	9
BL-886	96	96	10	65	89	92	92	9
BL-99	96	96	10	65	89	92	92	9

## Certification

None

## Terminal Diagram

**BL-886**

**BL-77**

**BL-99**

## Order Code : BL-Series

Size	O/P1 Type	O/P2 Type
7 (72X72X65)	R (Relay)	R (Relay)
8 (48X96X53)		S (SSR Drive)
9 (96X96X53)		

## Example : BL-77-R-R

Size	O/P1 Type	O/P2 Type
77	R	R
7 (72X72X65)	R (Relay)	R (Relay)