



Features

- Universal sensor input
- Transmitter Supply : 5 VDC / 10 VDC / 12 VDC / 24 VDC
- Control Action : PID Control / ON-OFF
- Input Signal Conditioning (Digital Filter & Zero Offset)
- Programmable Lower and Higher Setpoint Limit
- Program Lock function
- Selectable Control Output (Relay / SSR Drive)
- Overshoot Control Protection
- Single Step Ramp
- Time Delay for Compressor
- Universal supply voltage (90 to 270 VAC)
- 24 VDC Available on Request

Display Specification

Digits	: 4 Digits Dual Row 7 Segment LED Display		
LED Indication	: OP1 - Control Output Status AT - Tune Status		
Height \ Model	Nx-481	Nx-781	Nx-981
PV (White)	0.36"	0.56"	0.80"
SV (Green)	0.36"	0.39"	0.56"

Input Specification

Sensor Input	: Thermocouple - J, K, R, S, N, T, B RTD - Pt-100
Analog Input	: 0-1 VDC, 0-3.3 VDC, 0-5 VDC, 0-10 VDC, 0-20 mA, 4-20 mA
Resolution	: T/C - 1°C Pt-100 - 1°C / 0.1°C Analog - 1 / 0.1 / 0.01 / 0.001°C
Accuracy	: 0.3% FS
Temperature Unit	: °C
Sampling Rate	: 250msec

Output Specification

Control Output	: Relay / SSR Drive (User Selectable)
Relay	: 5A @ 250VAC / 30VDC
SSR Drive	: 12 VDC @ 30mA

Auxiliary Supply Specification

Supply Voltage	: 90 - 270 VAC (24 VDC Available on Request)
----------------	---

Environmental Specification

Temperature	: Operating - 0 to 50°C
Storage	: -20° to 75°C
Humidity	: 95% RH (Non-condensing)

Functional Specification

Control Action	: PID Control / ON-OFF
Control Logic	: Heat / Cool
Proportional Band	: 0.5 to 99.9°C
Integral Time	: 0 to 3600 sec
Derivative Time	: 0 to 300 sec
Cycle Time	: 1.0 to 100.0sec
Overshoot Control Point	: 0 to 100%
Output Power Limit	: 0 to 100%
Hysteresis	: 1 to 100°C
Delay	: 0 to 500 sec

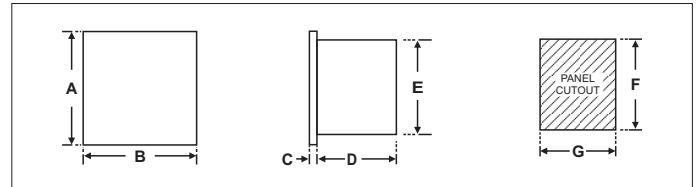
General Description

Model	Nx-481	Nx-781	Nx-981
Weight (Gms)	180	240	340

Certification

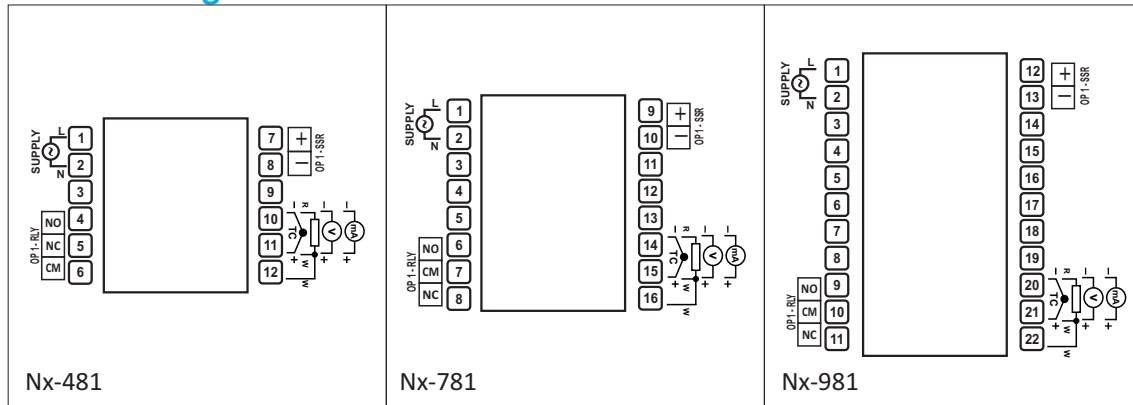
None

Mechanical Dimensions



Dim \ Model	A	B	C	D	E	F	G
Nx-981	96	96	14	80	90	92	92
Nx-781	72	72	14	82	68	70	70
Nx-481	48	48	14	87	44	44	44

Terminal Diagram



Order Code : Nx-Series

Size	No. Of Digits	No. Of Outputs	O/P1 Type	O/P2 Type
4 (48X48X87)	8 Digits	One	R (Relay)	R (Relay)
7 (72X72X82)		Two	S (SSR Drive)	S (SSR Drive)
9 (96X96X80)				N (None)

Example : Nx-481-R-N

Size	No. Of Digits	No. Of Outputs	O/P1 Type	O/P2 Type
4	8	1	R	N
4 (48X48X87)	8 Digits	One	R (Relay)	N (None)

Input Sensor Range

Sensor Input	Range	Resolution	Accuracy
Fe-k(J) T/C	0 ~ 760 °C	1 °C	± 1 °C
Cr-AL(K) T/C	-99 ~ 1300 °C	1 °C	± 1 °C
(R) T/C	0 ~ 1700 °C	1 °C	± 1 °C
(S) T/C	0 ~ 1700 °C	1 °C	± 1 °C
TC - N	-99 ~ 1300 °C	1 °C	± 1 °C
TC - T	-99 ~ 400 °C	1 °C	± 1 °C
TC - B	0 ~ 1800 °C	1 °C	± 1 °C
Pt-100(RTD)	-100 ~ 450 °C	1 °C	± 1 °C
Pt-100(RTD 0.1)	-100.0 ~ 450.0 °C	0.1 °C	± 0.3 °C
0 ~ 20 mA	-1999 to 9999 °C	1 / 0.1 / 0.01 / 0.001 °C	± 0.1 % of Full Scale
4 ~ 20 mA	-1999 to 9999 °C	1 / 0.1 / 0.01 / 0.001 °C	
0 ~ 1 VDC	-1999 to 9999 °C	1 / 0.1 / 0.01 / 0.001 °C	
0 ~ 3.3 VDC	-1999 to 9999 °C	1 / 0.1 / 0.01 / 0.001 °C	
0 ~ 5 VDC	-1999 to 9999 °C	1 / 0.1 / 0.01 / 0.001 °C	
0 ~ 10 VDC	-1999 to 9999 °C	1 / 0.1 / 0.01 / 0.001 °C	