



Features

- Selectable sensor Input (T/C & RTD)
- Control Action : PID Control / ON-OFF
- Input Signal Conditioning (Digital Filter & Zero Offset)
- Programmable Lower and Higher Setpoint Limit
- Program Lock function
- Selectable Control Output (Relay / SSR Drive)
- Alarm Acknowledge function
- Alarm Inhibit function
- Overshoot Control Protection
- Single Step Ramp
- Universal supply voltage (90 to 270 VAC)
- 24 VDC Available on Request

Display Specification

Digits	: 3 Digits Dual Row 7 Segment LED Display			
LED Indication	: OP1 - Control Output Status AL1 - Alarm 1 Status AT - Tune Status			
Height	Model	Nx-462	Nx-762	Nx-962
PV (White)		0.39"	0.56"	0.80"
SV (Green)		0.36"	0.39"	0.56"

Input Specification

Sensor Input	: Thermocouple - J, K RTD - Pt-100
Resolution	: T/C - 1°C & Pt-100 - 1°C
Accuracy	: 0.3% FS
Temperature Unit	: °C
Sampling Rate	: 250msec

Output Specification

Control Output	: Relay / SSR Drive (Factory Set)
Output 2	: Relay / SSR Drive (Factory Set)
Relay	: 5A @ 250VAC / 30VDC
SSR Drive	: 12 VDC @ 30mA

Auxiliary Supply Specification

Supply Voltage	: 90 - 270 VAC (24 VDC Available on Request)
----------------	---

Environmental Specification

Temperature	: Operating - 0 to 50°C
Storage	: -20° to 75°C
Humidity	: 95% RH (Non-condensing)

Functional Specification

Control Action	: PID Control / ON-OFF
Control Logic	: Heat / Cool
Proportional Band	: 0.5 to 99.9°C
Integral Time	: 0 to 999 sec
Derivative Time	: 0 to 999 sec
Cycle Time	: 1.0 to 99.9 sec
Overshoot Control Point	: 0 to 100%
Output Power Limit	: 0 to 100%
Hysteresis	: J, K, RTD - 1 to 25°C
Delay	: 0 to 500 sec
Output2 Function	: Auxiliary / Alarm / None
Alarm Modes	: Low / High / Deviation / Band

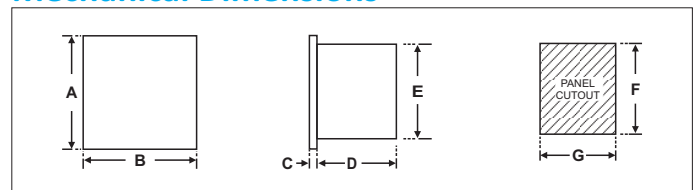
General Description

Model	Nx-462	Nx-762	Nx-962
Weight (Gms)	180	240	340

Certification

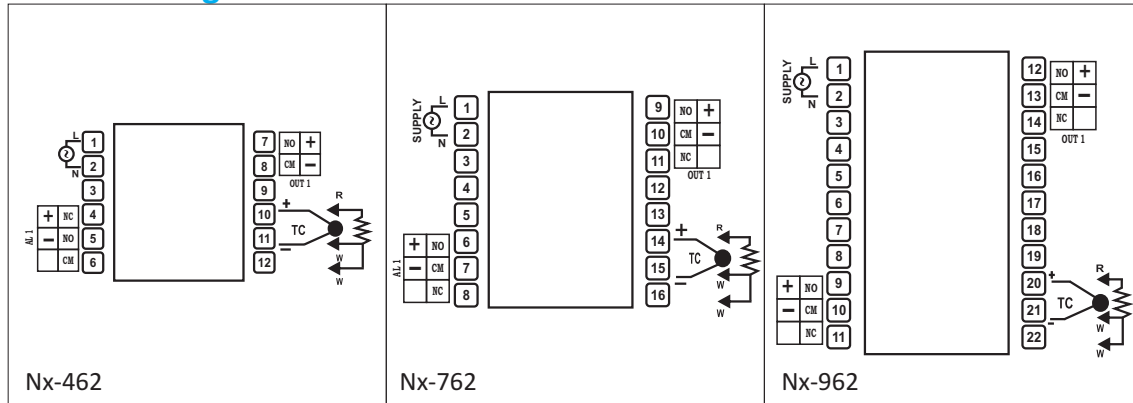
None

Mechanical Dimensions



Dim Model	A	B	C	D	E	F	G
Nx-962	96	96	14	80	90	92	92
Nx-762	72	72	14	82	68	70	70
Nx-462	48	48	14	87	44	44	44

Terminal Diagram



Order Code : Nx-Eco Series

Size	No. Of Digits	No. Of Outputs	O/P1 Type	O/P2 Type
4 (48X48X87)	6 Digits	One	R (Relay)	R (Relay)
7 (72X72X82)		Two	S (SSR Drive)	S (SSR Drive)
9 (96X96X80)				N (None)

Example : Nx-462-R-R

Size	No. Of Digits	No. Of Outputs	O/P1 Type	O/P2 Type
4	6	2	R	R
4 (48X48X87)	6 Digits	Two	R (Relay)	R (Relay)

Input Sensor Range

Sensor Input	Range	Resolution	Accuracy
Fe-k(J) T/C	0 ~ 760 °C	1 °C	± 1 °C
Cr-AL(K) T/C	0 ~ 999 °C	1 °C	± 1 °C
Pt-100(RTD)	-99 ~ 450 °C	1 °C	± 1 °C