



Features

- Programmable Up / Down counting
- Programmable Memory Backup Function
- Timer Range through Keyboard : 9.99 Sec to 999 Hrs
- 2 Programmable Output
- Two Different time range in Cyclic Mode
- Universal supply voltage (90 ~ 270VAC)
- Configurable at Power On (To avoid Tampering)
- 24 VDC Available on Request
- Programmable Number Of Cycle or Total Time for Cyclic Mode

Technical Specifications


Display Specification


Digits	4 Digits Dual Row 7 Segment LED Display
LED Indication	Output - OP1, OP2 Hold Time Status - HLD Time Base - Hrs / Min / Sec
Height	0.39" PV (White) 0.24" SV (Green)

Keys

3 Controlling keys for configuration and operation

SET 

START 

RESET 

Auxiliary Supply Specification

Supply Voltage	90 - 270 VAC (24 VDC Available on Request)
----------------	---

Functional Specification

Time Base Selection	Through Keyboard
Time Start Mode	1) Power On Start 2) Front Start 3) Remote Pulse High to Low 4) Remote Pulse + Level (Close)
Output 1 Mode	1) ON Delay 2) OFF Delay 3) Cyclic ON-Time First 4) Cyclic OFF-Time First 5) FOR-REV with Hold Time
Output 2 Function	1) Auxiliary Contact 2) Instant Contact 3) End of Cycle 4) Off

Certification

None



Make In India



Accurate



Reliable



Affordable



User Friendly

Output Specification

Output 1	Relay / SSR Drive (Factory Set)
Output 2	Relay / SSR Drive (Factory Set)
Relay	5A @ 250VAC / 30VDC
SSR Drive	12 VDC @ 30mA

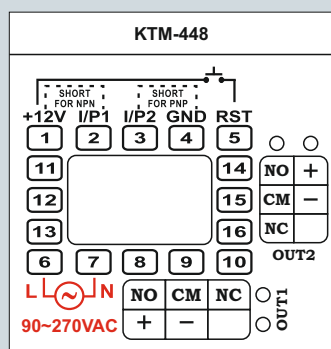
Environmental Specification

Temperature	Operating - 0 to 50°C
Storage	-20° to 75°C
Humidity	95% RH (Non-condensing)

General Description

Model	KTM-448
Weight (Gms)	150
Enclosure	Molded ABS
Color	Black
Accessories	1 Pair of Mounting clamp
Terminal Cable Size	Barrier Type terminal cable Size (2.5 mm ²)

Terminal Diagram

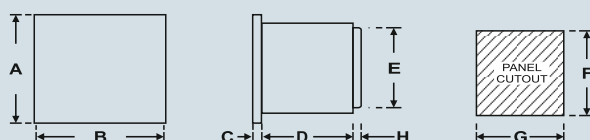


KTM-448

Input Specification

Control Input	Start - Proximity S/W (PNP / NPN) Potential Free Contact & 3 to 30 VDC Pulse Reset - Front Key, Rear Terminals & Power On
Sensor Supply	12 VDC @ 30mA (SCP)
Accuracy	0.05% FSD
Repeat Accuracy	0.01%

Mechanical Dimensions



Mechanical Dimensions

Model	Dim A	B	C	D	E	F	G	H
KTM-448	48	48	8	78	43	44	44	9

Order Code : KTM-Series

Size	No. Of Digits	O/P1 Type	O/P2 Type
4 (48X48X78)	8 Digits	R (Relay)	R (Relay)
		S (SSR Drive)	S (SSR Drive)

Example : KTM-448-R-R

Size	No. Of Digits	O/P1 Type	O/P2 Type
44	8	R	R
4 (48X48X78)	8 Digits	R (Relay)	R (Relay)

Input Sensor Range

Range	Resolution	Accuracy
99.99 s	0.01 sec	± 0.05 % of Full Scale
999.9 s	0.1 sec	
9999 s	1 sec	
99 m 59 s	1 sec	
999.9 m	0.1 min	
9999 m	1 min	
99 h 59 m	1 min	
999.9 h	0.1 hrs	
9999 h	1 hrs	