



Features

- Programmable Function : (1) Event Counter (EC) (2) Time Totalizer (TT) (3) RPM Indicator (RI)
- Configurable at Power ON (To avoid Tampering)
- Programmable Memory Backup Function
- RPM Time Out : Auto Flexible as per RPM value
- Programmable Ratio For RPM mode : 1 to 100
- Universal supply voltage (90 to 270 VAC)
- 24 VDC Available on Request

Display Specification

Digits	: 6 Digits Single Row 7 Segment LED Display				
LED Indication	: Mode - EC / TT / RI Time Base - Hr / Min / Sec (For TT)				
Model	CTR-33	CTR-44	CTR-77	CTR-88	CTR-99
Height	0.39"	0.30"	0.39"	0.56"	0.56"
PV (White)	0.39"	0.30"	0.39"	0.56"	0.56"

Input Specification

Control Input	: Count - Proximity S/W (PNP/NPN) Potential Free Contact Reset - Front Switch & Remote Terminal
Sensor Supply	: 12 VDC @ 30mA (SCP)
Accuracy	: 0.05% FS

Functional Specification

Count Frequency	: 3Hz / 30Hz / 100Hz / 1kHz / 2.5kHz
Counter Range	: 0 to 999999 Counts
Timing Range	: 0.00 Sec to 999999 Hrs
RPM Range	: 4.00 RPM to 9999 RPM
RPM Resolution	: 1 / 0.1 / 0.01

Environmental Specification

Temperature	: Operating - 0 to 50°C
Storage	: -20° to 75°C
Humidity	: 95% RH (Non-condensing)

Auxiliary Supply Specification

Supply Voltage	: 90 - 270 VAC (24 VDC Available on Request)
----------------	---

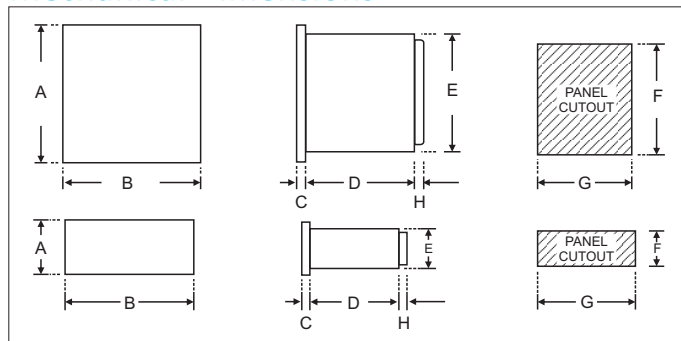
General Description

Model	CTR-33	CTR-44	CTR-77	CTR-88	CTR-99
Weight (Gms)	140	140	200	180	230

Certification

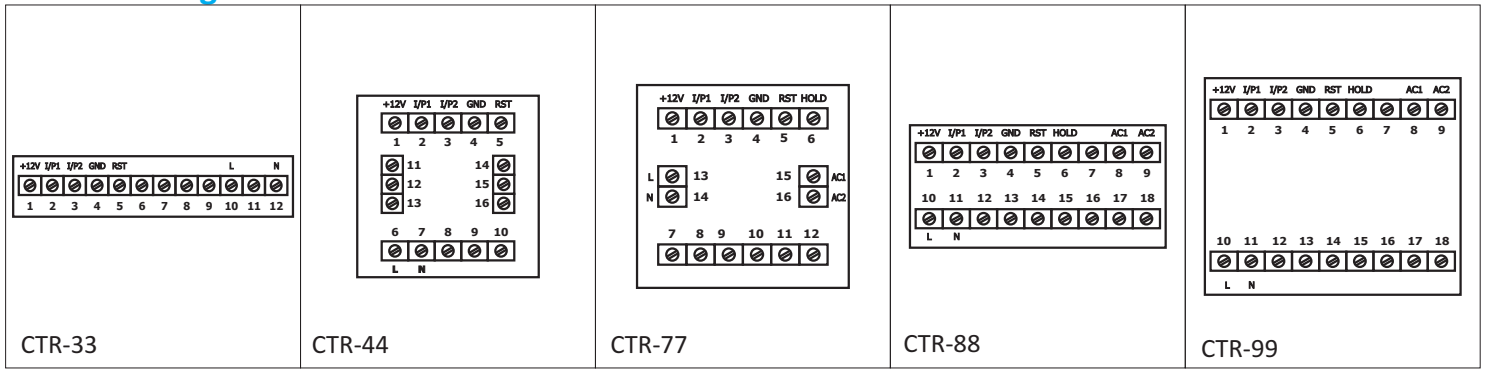
None

Mechanical Dimensions



Dim Model	A	B	C	D	E	F	G	H
CTR-33	36	72	5	79	21	32	68	9
CTR-44	48	48	8	78	43	44	44	9
CTR-77	72	72	10	65	66	68	68	9
CTR-88	48	96	10	53	43	44	92	9
CTR-99	96	96	10	53	89	92	92	9

Terminal Diagram



Order Code : CTR-Series

Size	Model
3 (36X72X79)	CTR-33
4 (48X48X78)	CTR-44
7 (72X72X65)	CTR-77
8 (48X96X53)	CTR-88
9 (96X96X53)	CTR-99

Time Totalizer Range

Range	Resolution	Accuracy
9999.99 s	0.01 sec	± 0.05 % of Full Scale
99999.9 s	0.1 sec	
999999 s	1 sec	
9999 m 59 s	1 sec	
99999.9 m	0.1 min	
999999 m	1 min	
99 h 59 m 59 s	1 sec	
9999 h 59 m	1 min	
99999.9 h	0.1 hrs	
999999 h	1 hrs	