



Features

- | | |
|---|--|
| ➤ Compatible with Four RS-485 devices | ➤ Programmable Recording Interval |
| ➤ Customize Printing available | ➤ Date / Time Stamped Records |
| ➤ Recording values : Process Value, Set Value | ➤ Excitation Voltage : 5V |
| ➤ Periodic recording of Alarm Status & Error Conditions | ➤ 2 Deviation Alarm Outputs |
| ➤ Programmable Display Units for Each Channel | ➤ Centronics Printer Connectivity (LX-300) |
| ➤ 16 x 2 Characters LCD Display with back light | ➤ Online Printing (Min. Interval 1 minute) |
| ➤ Data Storage Capacity (Approx 2.50Lakh Records) | ➤ Universal supply voltage (90 to 270 VAC) |
| ➤ Continuous (Log) / Time slot (Batch) Recording | ➤ 24 VDC Available on Request |

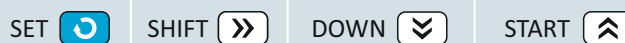
Technical Specifications

Display Specification

LCD	16x2 Character LCD (Blue - White)
LED Indication	PC - PC Communication DEV - Device Communication MEM - Memory Status HLD - Hold Status AL1 - Alarm 1 Status AL2 - Alarm 2 Status

Keys

4 Controlling keys for configuration and operation



Auxiliary Supply Specification

Supply Voltage	90 - 270 VAC (24 VDC Available on Request)
----------------	---

Certification

None



Make In India



Accurate



Reliable



Affordable



User Friendly

Recording

Recording Capacity	Approx. 2.50 Lakh Records
Recording Mode	Batch mode, Log mode
Recording Interval (User Settable)	Log Mode: Minimum - 1 min Batch Mode: Minimum - 10 sec

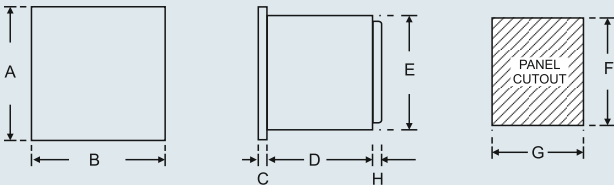
PC Interface

Serial Port	RS-485, 2 Wire, Half Duplex
Protocol	Modbus RTU
Baud Rate	9600, 19200, 31250, 38400, 76800
Parity	Odd, Even, None

Environmental Specification

Temperature	Operating - 0 to 50°C
Storage	-20° to 75°C
Humidity	95% RH (Non-condensing)

Mechanical Dimensions



Mechanical Dimensions

Model	Dim	A	B	C	D	E	F	G	H
AI-LOG		96	96	10	65	89	92	92	9

Device Interface

Serial Port	RS-485, 2 Wire, Half Duplex
Protocol	Modbus RTU
Baud Rate	9600, 19200, 31250, 38400, 76800
Parity	Odd, Even, None
Maximum Devices	4
Device Type	I-Therm, Taie, Fuji, Eurotherm, West

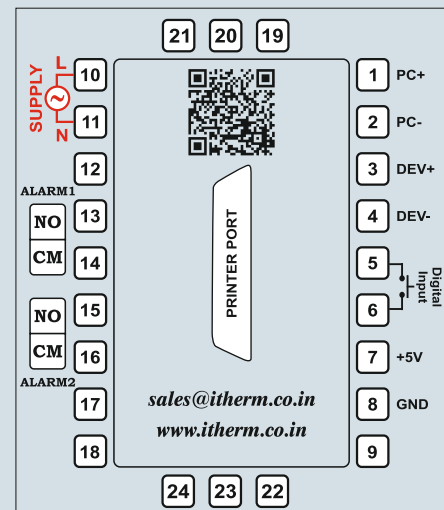
Output Specification

Alarm 1 (OP1)	Relay
Alarm 2 (OP2)	Relay
Relay	5A @ 250 VAC / 30 VDC

General Description

Weight (Gms)	400
Enclosure	Molded ABS
Color	Black
Accessories	1 Pair of Mounting clamp
Terminal Cable Size	Barrier Type terminal cable Size (2.5 mm ²)

Terminal Diagram



AI-LOG

Available Units

Option	Description	Option	Description	Option	Description
°C	Degree Centigrade	inH2O	inches water gauge	Sec	Seconds
°F	Degree Fahrenheit	mmHg	mm of mercury	min	Minutes
°K	Degree Kelvin	Torr	Torr	hrs	Hours
°EU	Engineering Units	l/hr	Litre per hour	PH	PH
%	Percentage	l/min	Litre per minute	%PH	%PH
Pa	Pascal	%RH	% Relative Humidity	miles/hr	Miles per hour
MPa	Mpascal	A	ampere	mg	milligram
kPa	Kpascal	mA	milliampere	g	Gram
bar	Bar	mV	millivolt	kg	kilogram
mbar	millibar	ohms	Ohms	%O2	%O2
psi	pound/square inch	ppm	Parts per million	%Co2	%Co2
kg/sq.cm	kg/sq.cm	rpm	Revolution per Minute	%CP	%Carbon Potential
mmH2O	mm water gauge	ms	millisecond	V	Volts